

PATENT PENDING



RoofGooseJack
SUPERIOR HVAC TERMINATIONS

RoofGooseVent LLC,
345 Compass Cir #17
North Kingstown, RI 02852
Telephone: 401-522-9857
www.RoofGooseVent.com
sales@RoofGooseVent.com

Model

RJ6 - IE

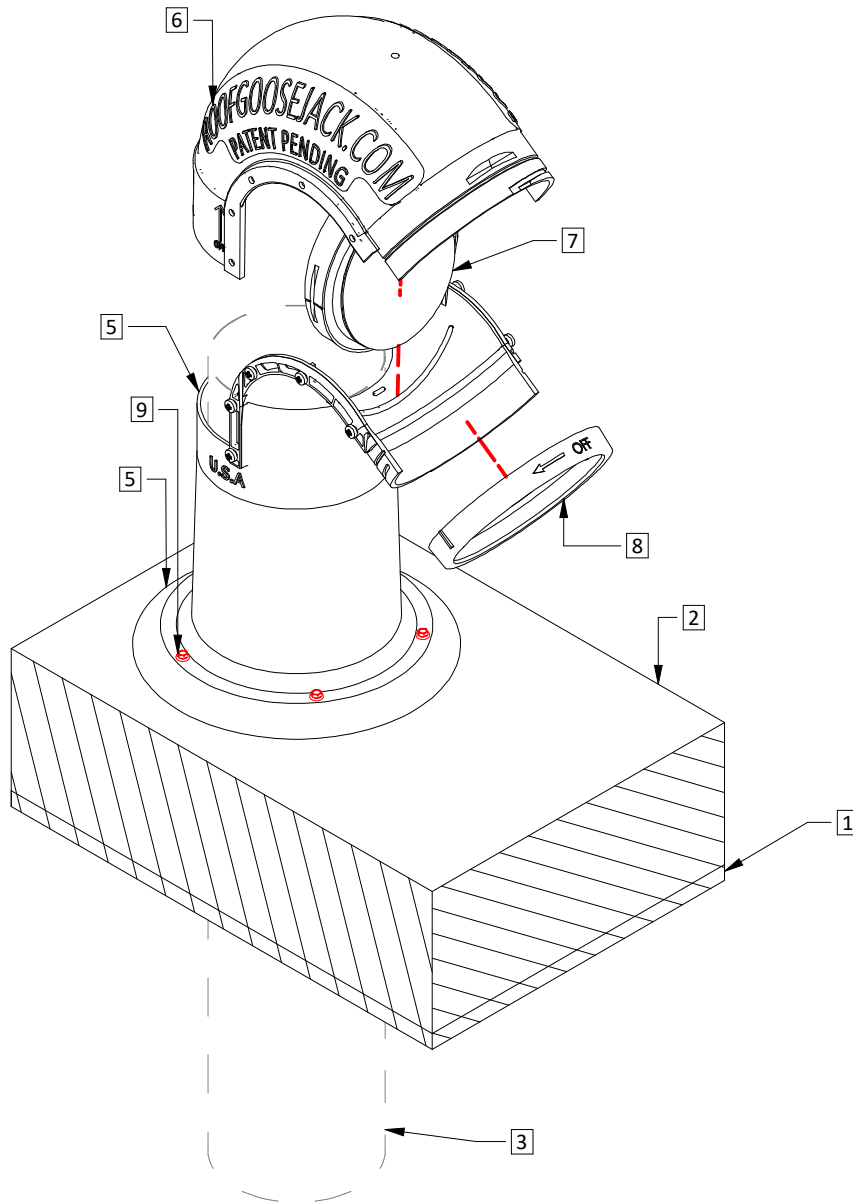
Application

- 6" Flat roof intake or exhaust termination assembly efficiently vents fan exhaust air to roofs.
- Not suitable for dryer applications. Use RJ4-Dryer or RG4-Dryer for all 4" dryer assemblies.

Item Description

1. Roof Sub Structure
2. Insulation And Roof Membrane
3. 6" Galvanized Sheet Metal Duct (Field Supplied)
4. Roofer's Flashing (Field Supplied)
5. 6" Roofgoosejack Base With Flange
6. 6" Roofgoosejack Lid
7. Integral Quiet Close Eccentric Damper
8. Removable Bug Cap With Stainless Steel Screen
9. 8 Inch Roof Fasteners
10. Gasket Under Flange
11. Hole Through Roof

Updated 07-21-23



INSTALLATION NOTES

1. **Hole Through Roof Diameter (Field Supplied Hole Saw Recommended)** - When preparing a hole for the RJ6-IE (item #13) we find it best to use a 6.25" hole saw
2. **Duct Work Install (field supplied)** - RJ6-IE model can accommodate up to 20 gauge galvanized ductwork either spiral or round snap duct. Ductwork should extend above the roof membrane by 12" +/- 1/2".
3. **Roof Flashing Install (Field Supplied Item)** - Gasket in the base is only for temporary water protection. It is not intended to be a permanent roof flashing and requires a clean surface for the gasket to make a strong bond. Professional roof flashing (item #3) is always required after installation.

