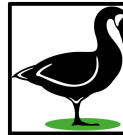


PATENT PENDING



**RoofGooseJack**  
SUPERIOR HVAC TERMINATIONS

**RoofGooseVent LLC,**  
345 Compass Cir #17  
North Kingstown, RI 02852  
Telephone: 401-522-9857  
www.RoofGooseVent.com  
sales@RoofGooseVent.com

**Model**

RJ4 - Dryer

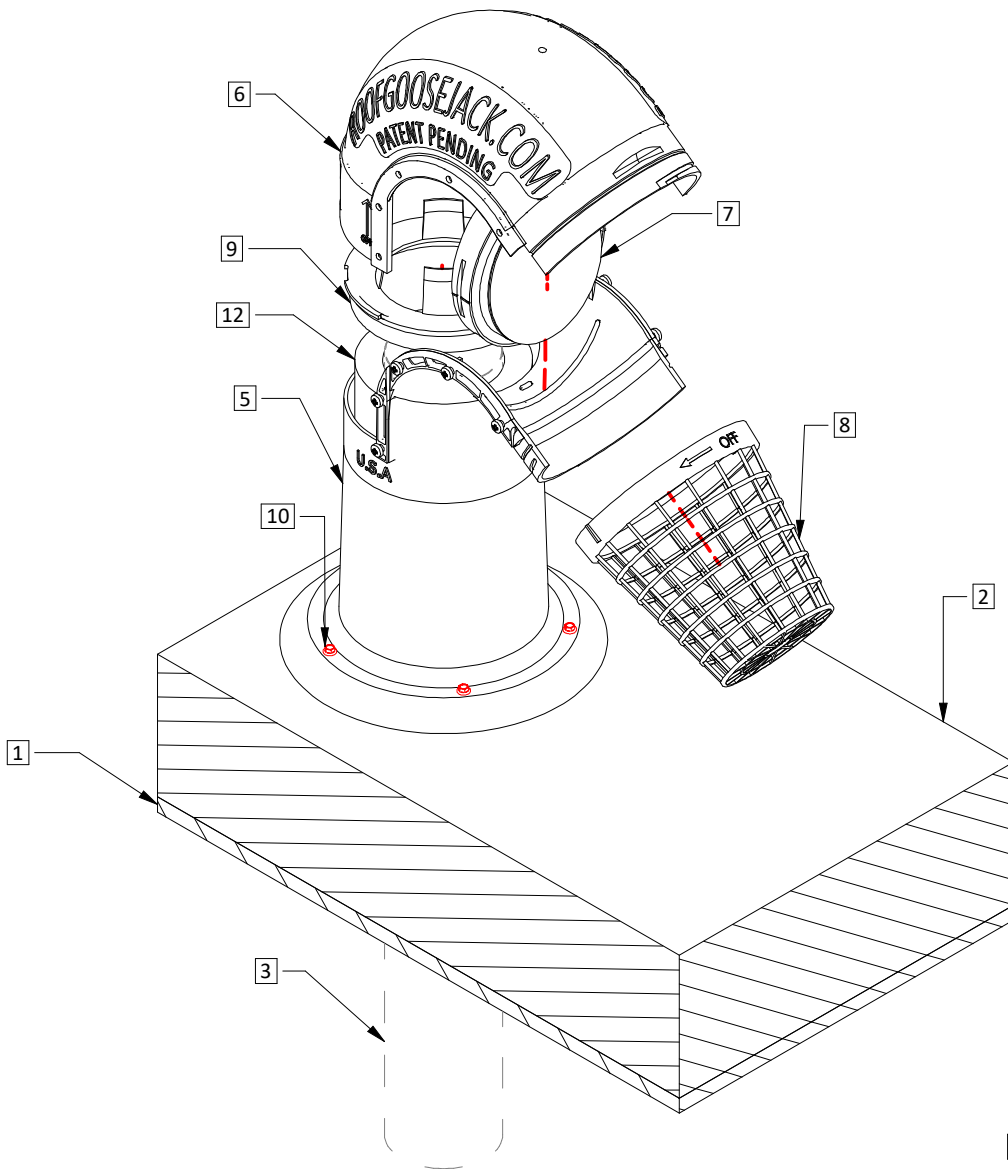
**Application**

- 4" Flat Roof Dryer Vent Termination 12" Tall. Efficiently Vents Dryer Exhaust Air to Roofs while easily being able to manage the lint.
- Not Suitable For intake applications.

**Item Description**

1. Roof Sub Structure
2. Insulation And Roof Membrane
3. 4" Galvanized Sheet Metal Duct (Field Supplied)
4. Roofer's Flashing (Field Supplied)
5. Roofgoosejack Base With Flange
6. Roofgoosejack Lid
7. Integral Quiet Close Eccentric Damper
8. Removable Bird Guard
9. Roofgoosejack 4-6 bushing
10. 8 Inch Roof Fasteners
11. Gasket Under Flange
12. R 4.7 Insulation (Optional)
13. Hole Through Roof

Updated 05-17-23



### INSTALLATION NOTES

1. **Hole Through Roof Diameter (Field Supplied Hole Saw Recommended)** - when preparing a hole for the rj4-dryer (item #13) we find it best to use a 4.25" hole saw
2. **duct work install (field supplied)** - RJ4-Dryer model can accommodate up to 20 gauge galvanized ductwork either spiral or round snap duct. ductwork should extend above the roof membrane by 12" +/- 1/2".
3. **Roof Flashing Install (Field Supplied Item)** - Gasket in the base is only for temporary water protection, it is not intended to be a permanent roof flashing and requires a clean surface for the gasket to make a strong bond. Professional roof flashing (item #3) is always required after installation.

