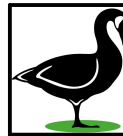


PATENT PENDING



RoofGooseJack
SUPERIOR HVAC TERMINATIONS

RoofGooseVent LLC,
345 Compass Cir #17
North Kingstown, RI 02852
Telephone: 401-522-9857
www.RoofGooseVent.com
sales@RoofGooseVent.com

Model

RJ6 - UTILITY

Application

- Flat Roof Lineset Termination. Easily Accommodate Soft/Malleable Copper Linesets
- Can Accommodate Up To (6) 1/2" Pipe Insulation On 5/8" Or 3/4" Tube; With (6) 3/8" Un-Insulated Tube And All Necessary Control Wires. Unobstructed Internal Diameter Of Device Is 6-2/5". See Examples Below.
- Recommended Not To Exceed Tubing Diameter Greater Than 7/8"

Item Description

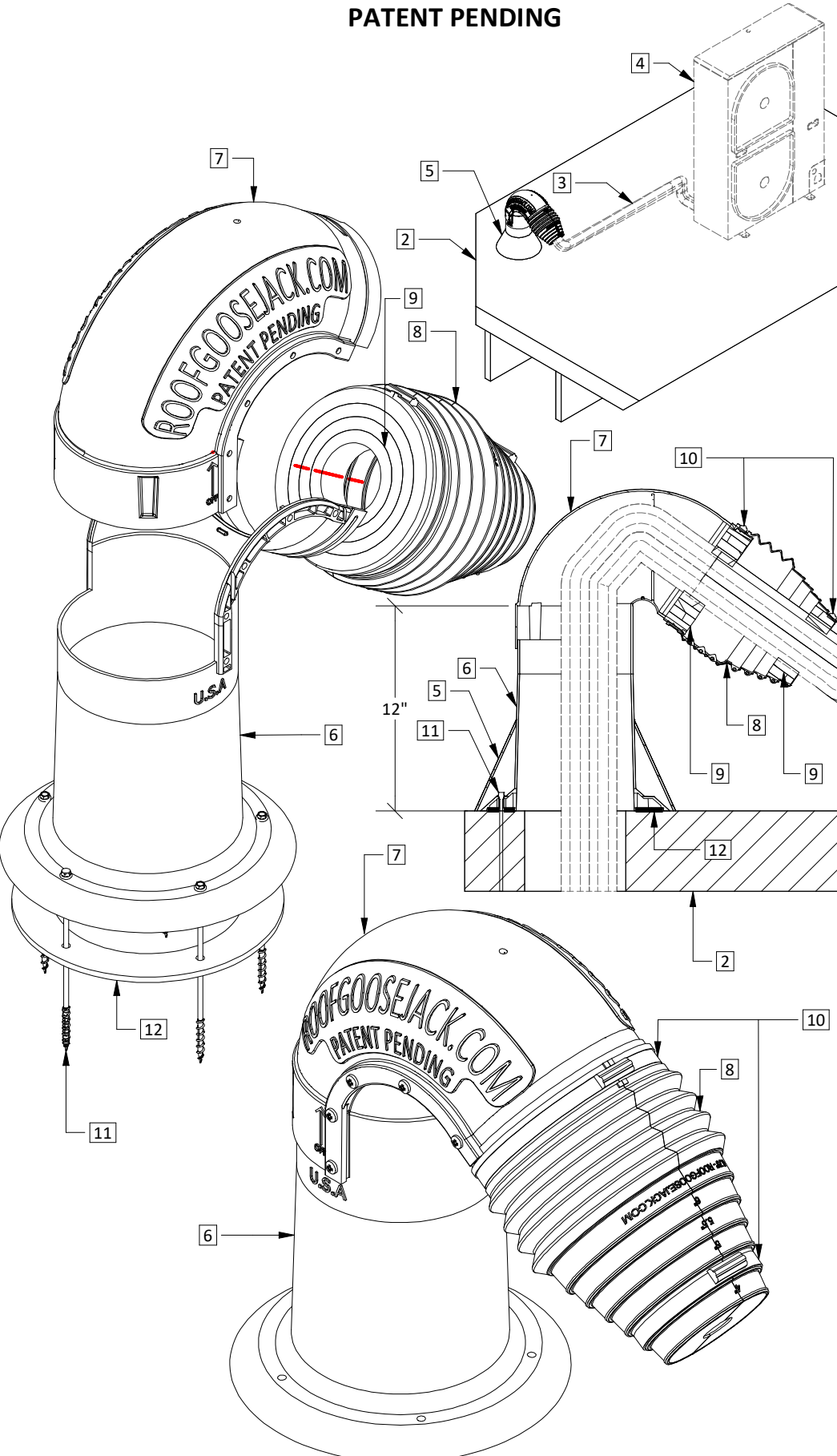
1. Roof Sub Structure
2. Insulation And Roof Membrane
3. Refrigeration Line Sets (Field Supplied)
4. Hvac Condenser / Heat Pump (Field Supplied)
5. Roofer's Flashing (Field Supplied)
6. Roofgoosejack Base With Flange
7. Roofgoosejack Lid
8. Removable Flexible Line Set Jacket
9. Included Draft Stopping
10. Stainless Steel Hose Clamp
11. 8 Inch roof fasteners
12. Gasket Under Flange

Benefits

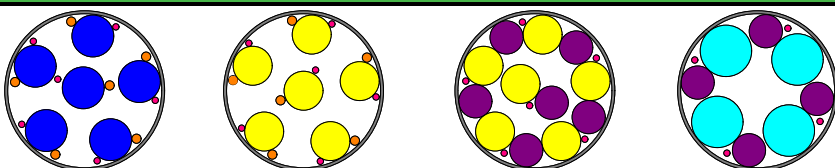
- Rigid Plastic Material Testing: Astm D1929, Astm D635, Astm D2843, Astm G155 (4500 Hrs) & Astm D638 Certified
- Elastomeric Material Testing: UL 94 HB, UL 746C F1, ASTM D746 -76°F, ASTM D412
- Eliminates Insulation Gap On Line Sets That Are Present When Using Pitch Pockets.
- Allows Roofer To Flash Line Set Penetrations Easily Without The Use Of A Pitch Pocket.
- Gasketed Base Flange For Temporary Water Proofing Before Being Permanently Flashed Into A Flat Roof.

Features

- Tapered Flexible Jacket That Can Be Cut To Size Depending On The Number Of Line Sets Being Run With Outlet Diameters Ranging From 4" - 6.75"
- Draft Stopping And Hose Clamps To Prevent Water And Pest Infiltration.
- Unobstructed Access To Line Sets And Control Wires Without Damaging Waterproofing.
- No Need For Caulk Or Adhesives To Create Waterproofing Once Flashed Into Roof Accordingly.



Examples Of Pipe Configurations



Key

	Control Wire		3/8" Bare Tube
	5/8" Tube W/ 3/4" Insulation		5/8" Tube W/ 1/2" Insulation
			3/4" Tube W/ 1/2" Insulation
			3/8" Tube W/ 1/2" Insulation

Updated 11-30-21