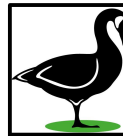
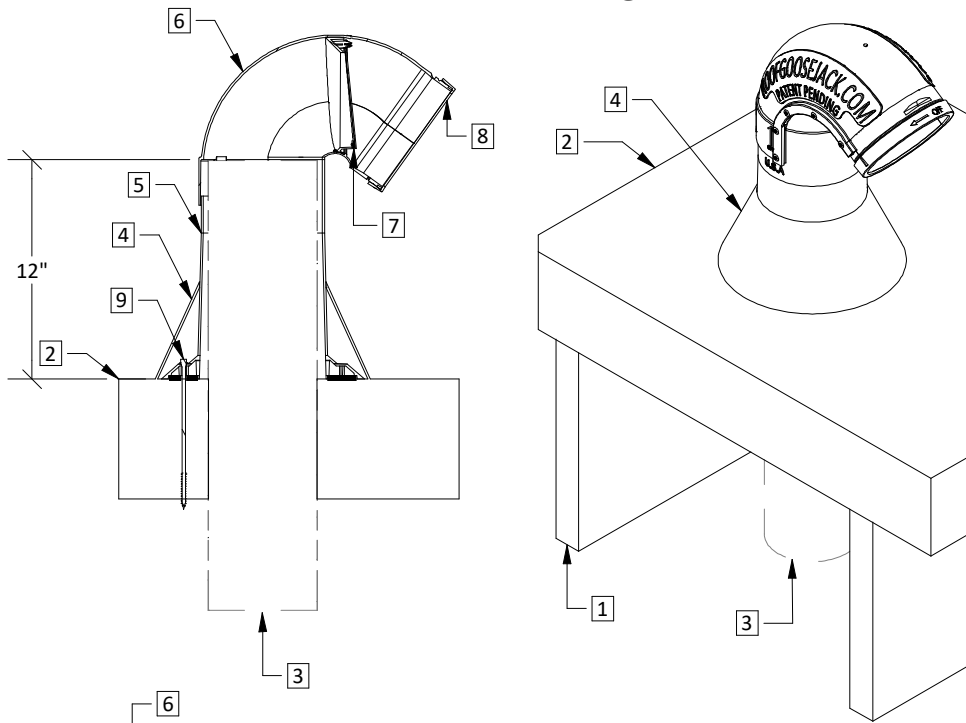


PATENT PENDING



**RoofGooseJack**  
SUPERIOR HVAC TERMINATIONS

**RoofGooseVent LLC,**  
345 Compass Cir #17  
North Kingstown, RI 02852  
Telephone: 401-522-9857  
www.RoofGooseVent.com  
sales@RoofGooseVent.com

**Model**

RJ6 - IE

**Application**

- 6" Flat Roof Intake Or Exhaust, Assembly Efficiently Vents Fan Exhaust Air To Roofs.
- Not Suitable For Dryers Use Either RJ4-Dryer Or RG4-Dryer For All 4" Dryer Assembly

**Item Description**

1. Roof Sub Structure
2. Insulation And Roof Membrane
3. 6" Galvanized Sheet Metal Duct (Field Supplied)
4. Roofers Flashing (Field Supplied)
5. Roofgoosejack Base With Flange
6. Roofgoosejack Lid
7. Integral Quiet Close Eccentric Damper
8. Removable Bug Cap With Stainless Steel Screen
9. 8 Inch Roof Fasteners
10. Gasket Under Flange

**Benefits**

- Rigid Plastic Material Testing: ASTM D1929, ASTM D635, ASTM D2843, ASTM G155 (4500 Hrs) & ASTM D638 Certified
- Elastomeric Material Testing: UL 94 HB, UL 746C F1, ASTM D746 -76°F, ASTM D412
- Near-Zero Back Pressure Extends Fan Life And Allows The Fan To Function At Its Full Capacity (Adds .06 In/Wc)
- Longer Life-span Than With a Similar Sheet Metal Terminations
- Provides a Sealed Plastic Assembly Over The Underlying Exhaust Pipe To Protect From Rain Intrusion
- Allows Roofer To Flash To Plastic Not Exposed Metal.
- Allows Unobstructed Access To Exhaust Duct For Cleaning Or Inspection.

**Features**

- Gasketed Base Flange For Temporary Water Proofing Before Being Permanently Flashing Into A Flat Roof.
- Protected Internal Eccentric Backdraft Damper With Quiet Close Feature. (Removable For Intake Applications)
- Easily Removable Lid For Maintenance Without The Use Of Glue Or Tape Required.
- Threaded Bug Cap For Easy Cleaning Of Screen

Updated 11-30-21