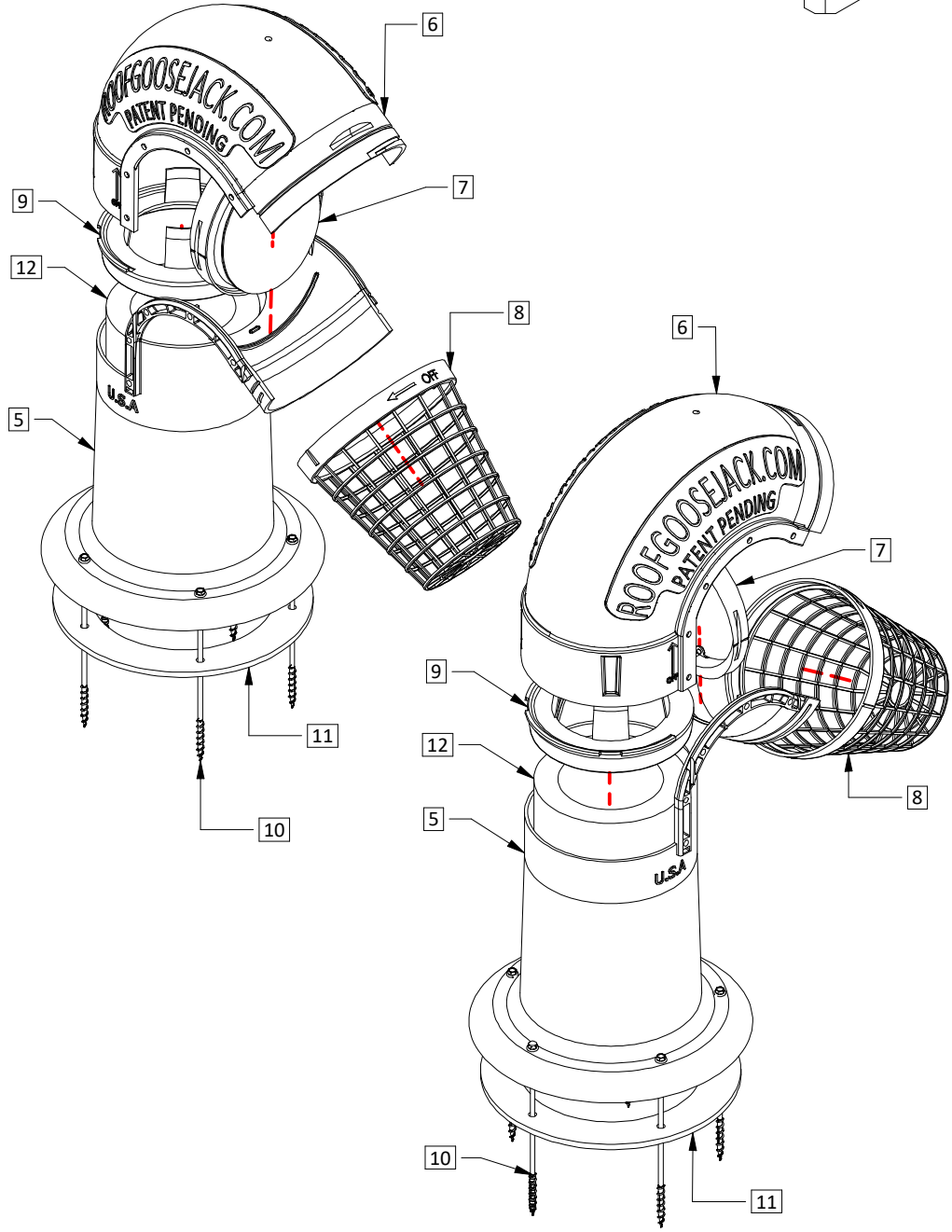
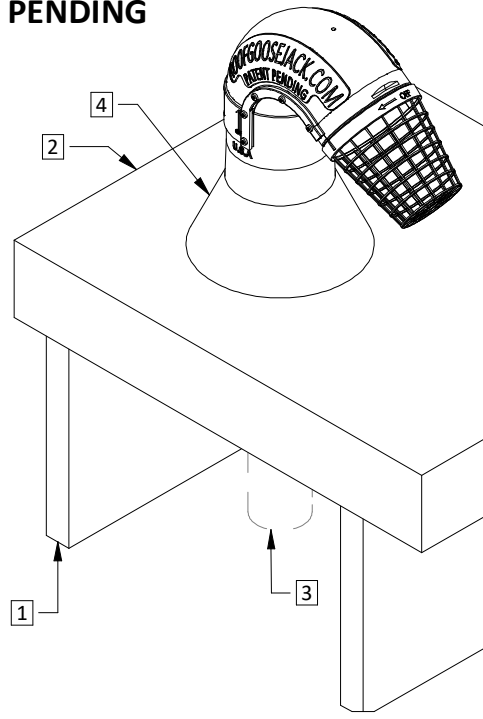
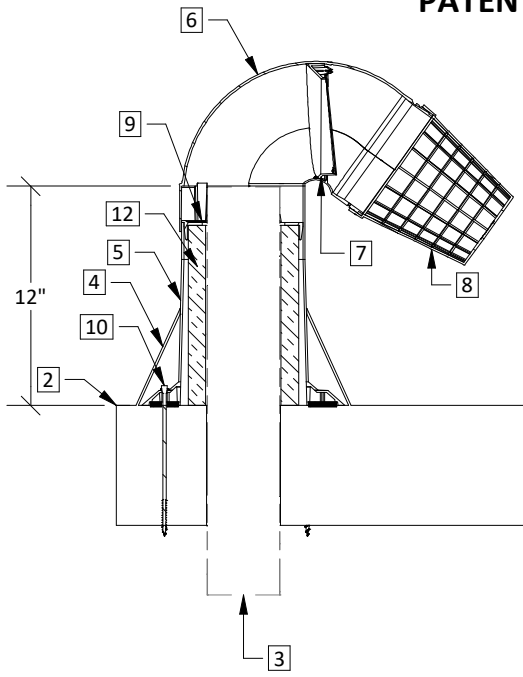


PATENT PENDING



RoofGooseJack
SUPERIOR HVAC TERMINATIONS

RoofGooseVent LLC,
345 Compass Cir #17
North Kingstown, RI 02852
Telephone: 401-522-9857
www.RoofGooseVent.com
sales@RoofGooseVent.com

Model

RJ4 - Dryer

Application

- 4" Flat Roof Dryer Vent Termination Efficiently Vents Dryer Exhaust Air to Roofs.
- Not Suitable For intake applications.

Item Description

1. Roof Sub Structure
2. Insulation And Roof Membrane
3. 4" Galvanized Sheet Metal Duct (Field Supplied)
4. Roofer's Flashing (Field Supplied)
5. Roofgoosejack Base With Flange
6. Roofgoosejack Lid
7. Integral Quiet Close Eccentric Damper
8. Removable Bird Guard
9. Roofgoosejack 4-6 bushing
10. 8 Inch Roof Fasteners
11. Gasket Under Flange
12. R 4.7 Insulation (Optional)

Benefits

- Rigid Plastic Material Testing: ASTM D1929, ASTM D635, ASTM D2843, ASTM G155 (4500 Hrs) & ASTM D638 Certified
- Elastomeric Material Testing: UL 94 HB, UL 746C F1, ASTM D746 -76°F, ASTM D412
- Zero Static Back Pressure Extends Fan Life And Allows The Fan To Function At Its Full Capacity (Adds .00 In/Wc)
- Longer Life-span Than With a Similar Sheet Metal Terminations
- Provides a Sealed Plastic Assembly Over The Underlying Exhaust Pipe To Protect From Rain Intrusion
- Allows Roofer To Flash To Plastic Not Exposed Metal.
- Allows Unobstructed Access To Exhaust Duct For Cleaning Or Inspection.
- Accepts K-FLEX 6RX068418 Within RoofGoose Termination; Posses an R-Value of R4.7

Features

- Gasketed Base Flange For Temporary Water Proofing Before Being Permanently Flashed Into A Flat Roof.
- Protected Internal Eccentric Backdraft Damper With Quiet Close Feature. (Removable For Intake Applications)
- Easily Removable Lid For Maintenance Without The Use Of Glue Or Tape Required.
- Threaded Bird Guard For Easy Cleaning Of Lint And Debris

Updated 11-30-21