



RoofGooseVent LLC
SUPERIOR VENT TERMINATIONS

**RoofGooseVent LLC,
345 Compass Cir #17
North Kingstown, RI 02852
Telephone: 401-522-9857
www.RoofGooseVent.com
sales@RoofGooseVent.com**

Model

RG4-IE

Application

- Flat Roof Intake Or Exhaust, Assembly Efficiently Vents Fan Exhaust Air To Roofs.
- Not Suitable For Dryers Use RG4-Dryer For All 4" Dryer Assembly

Item Description

1. Roof Sub Structure
2. Insulation And Roof Membrane
3. 4" Galvanized Sheet Metal Duct (Field Supplied)
4. Includes 4" Duct Support Bracket
5. Roof Flashing by Roofing Contractor
6. RoofGoose Assembly Sleeve
7. RoofGoose Assembly Rain Collar
8. Neck Of RoofGoose Assembly With Integrated Internal Damper
9. Removable Bug Cap With Stainless Steel Screen

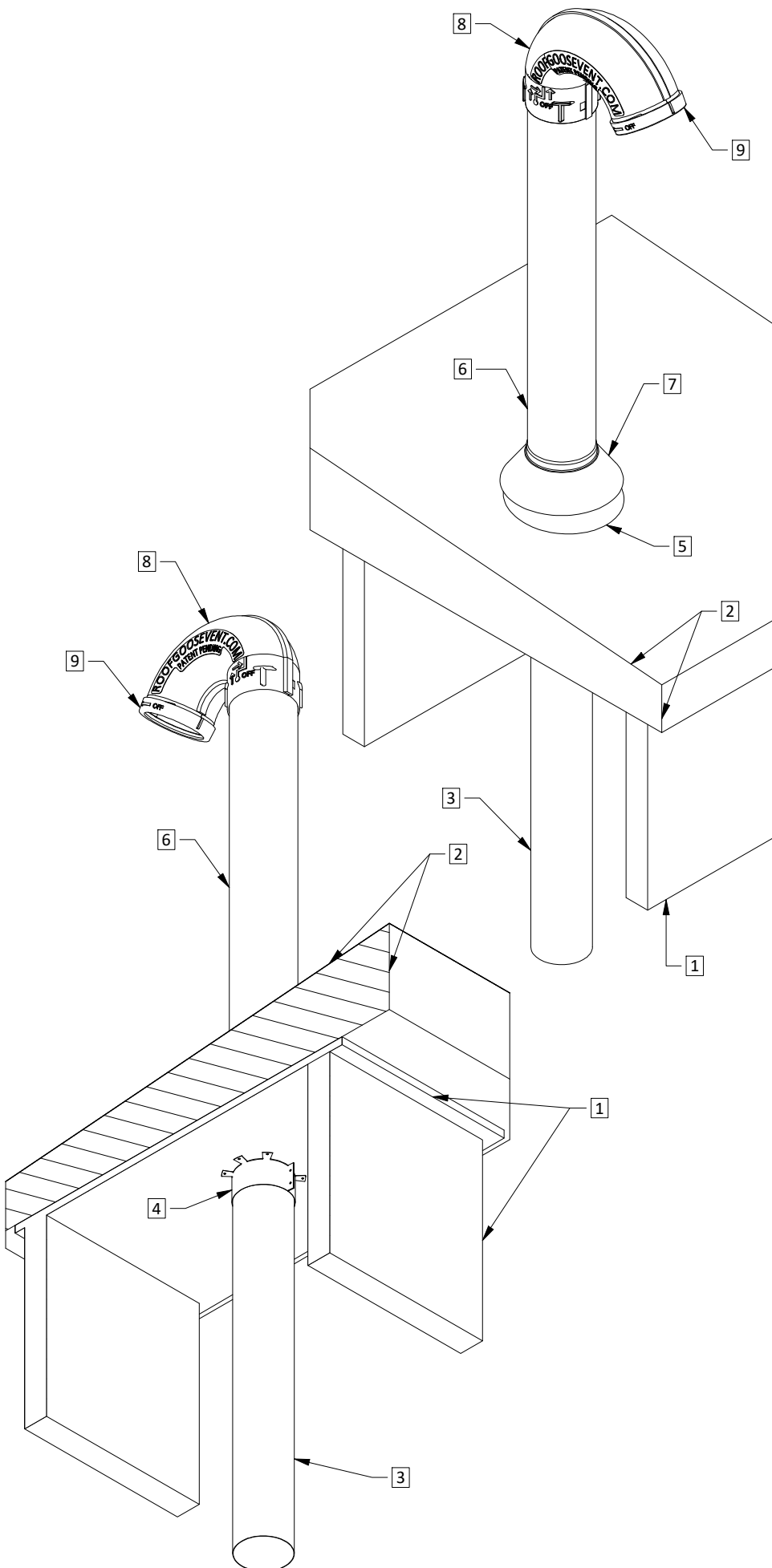
Benefits

- ASTM D1929 & ASTM D635 Certified
- Near-Zero Back Pressure Extends Fan Life And Allows The Fan To Function At Its Full Capacity Throughout The Duration Of Its Life-span
- Longer Life-span Than With a Similar Sheet Metal Terminations
- Provides a Sealed Plastic Assembly Over The Underlying Exhaust Pipe To Protect From Rain Intrusion
- Allows Roofer To Flash To Plastic Not Exposed Metal.
- Provides a Counter-Flashing Over Roofers Flashing
- Allows Unobstructed Access To Exhaust Duct For Cleaning Or Inspection

Features

- 4 Notches On Top Of Sleeve To Allow For 90° Increments Of Neck Rotation After Sleeve Is Secured
- Included Duct Termination Bracket To Plumb The Riser Duct
- Protected Internal Eccentric Backdraft Damper. (removable for Intake Applications)
- Twist Lock Removable Neck For Maintenance. No Glue Or Tape Required
- Threaded Bug Cap For easy cleaning of screen

Updated 05-11-20



PATENT PENDING