



**RoofGooseVent LLC**  
SUPERIOR VENT TERMINATIONS

**RoofGooseVent LLC,**  
**345 Compass Cir #17**  
**North Kingstown, RI 02852**  
**Telephone: 401-522-9857**  
**www.RoofGooseVent.com**  
**sales@RoofGooseVent.com**

### Model

**RG4-DRYER**

### Application

- Flat Roof Dryer Vent Termination Efficiently Vents Fan Exhaust Air To Roofs.
- Is Not Suitable For Intake Fans.

### Item Description

1. Roof Sub Structure
2. Insulation And Roof Membrane
3. 4" Galvanized Sheet Metal Duct (Field Supplied)
4. Included 4" Duct Support Bracket
5. Roofers Flashing
6. Roofgoose Sleeve
7. Roofgoose Rain Collar
8. Neck Of RoofGoose Assembly With Integrated Internal Damper
9. Removable Bird Guard
10. R 4.7 Insulation (Optional)

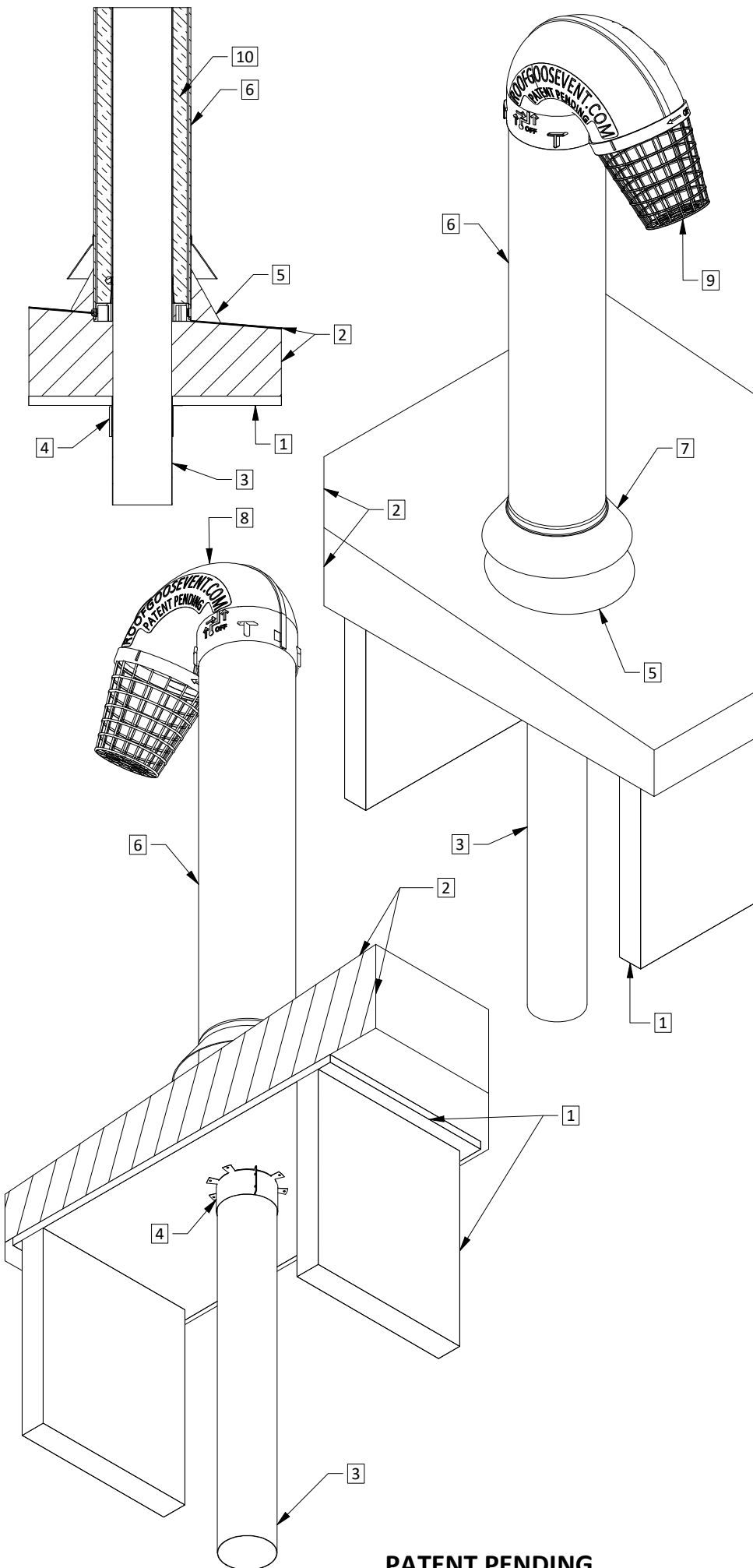
### Benefits

- ASTM D1929 & ASTM D635 Certified
- Near-Zero Back Pressure Extends Fan Life And Allows The Fan To Function At Its Full Capacity Throughout The Duration Of Its Life-span
- Longer Life-span Than With a Similar Sheet Metal Terminations
- Provides a Sealed Plastic Assembly Over The Underlying Exhaust Pipe To Protect From Rain Intrusion
- Allows Roofer To Flash To Plastic Not Exposed Metal.
- Provides a Counter-Flashing Over Roofers Flashing
- Allows Unobstructed Access To Exhaust Duct For Cleaning Or Inspection
- Accepts K-FLEX 6RX068418 Within RoofGoose Sleeve; Possess an R-Value of R 4.7

### Features

- 4 Notches On Top Of Sleeve To Allow For 90° Increments Of Neck Rotation After Sleeve Is Secured
- Included Duct Termination Bracket To Plumb The Riser Duct
- Protected Internal Eccentric Backdraft Damper
- Twist Lock Removable Neck For Maintenance No Glue Or Tape Required
- Threaded Bird Cap For easy cleaning of Debris

Updated 05-11-20



**PATENT PENDING**